



OTC DAIHEN EUROPE

Roboter – Technische Daten
Manipulator Specifications

FD-B4LS

Model		FD-B4LS	
Kinematic		Vertical artic. type	
No. of Axes		7	
P-Point (Working Range)		R 2,008 mm	
Maximum Payload Capacity		4 kg	
Positional Repeatability(*1)		± 0.08 mm	
Driving Method		AC Servo Motor	
Working Range	Arm	J1 (Rotation)	± 170°
		J2 (Vertical)	-145° ≈ +70°
		J7	± 90°
	Wrist	J3* (Rotation)	-170° ≈ +154°
		J4 (Rotation)	± 155°
		J5 (Bending)	-45° ≈ +225°
		J6 (Rotation)	± 205°
Maximum Speed	Arm	J1 (Rotation)	195°/s
		J2 (Vertical)	200°/s
		J7	160°/s
	Wrist	J3* (Rotation)	200°/s
		J4 (Rotation)	420°/s
		J6 (Rotation)	600°/s
Maximum Payload	Allowable Moment	J1 (Rotation)	10.1 Nm
		J2 (Vertical)	10.1 Nm
		J3* (Rotation)	2.94 Nm
		J4 (Rotation)	0.38 kg/m ²
		J5 (Bending)	0.38 kg/m ²
		J6 (Rotation)	0.03 kg/m ²
Ambient Temp./Humidity		0 ≈ 45°, 20 ≈ 80%	
Mass (weight)		321 kg	
Upper arm max. Carrying capacity(*2)		10 kg (Note 3)	
Origin Return		Note 3	
Installation Position		Floor type	



J3* (Rotation): A combined rotation of the axes J2 and J3
 Note 1: Measured value obtained after sufficient repetition of automatic operation for stabilizing conditions.
 Note 2: When the output flange of the wrist axis is loaded with maximum payload capacity.
 Note 3: Positional data protected by battery-backed storage inside the manipulator.
 F = Floor W = Wall C = Ceiling

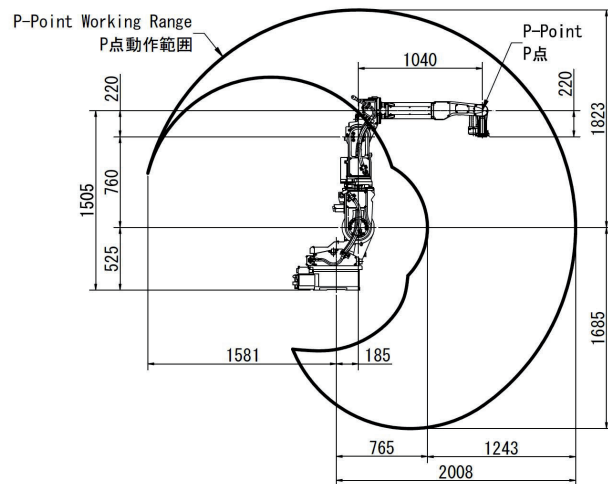
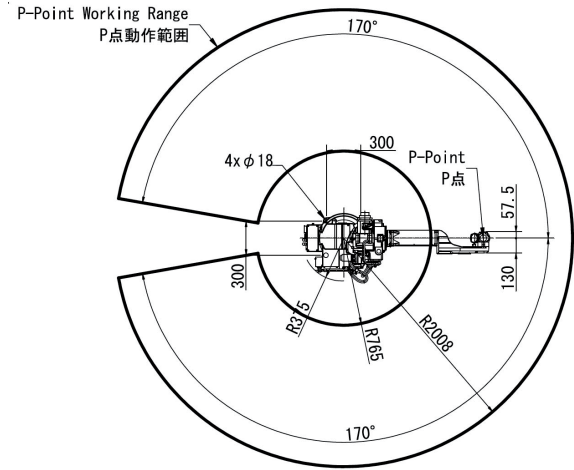


OTC DAIHEN EUROPE

**Roboter – Technische Daten
Manipulator Specifications**

FD-B4LS

Model	FD-B4LS		
Kinematic	Vertical artic. type		
No. of Axes	7		
P-Point (Working Range)	R 2,008 mm		
Maximum Payload Capacity	4 kg		
Positional Repeatability(*1)	± 0.08 mm		
Driving Method	AC Servo Motor		
Working Range	Arm	J1 (Rotation)	± 170°
		J2 (Vertical)	-145° ≈ +70°
		J7	± 90°
	Wrist	J3* (Rotation)	-170° ≈ +154°
		J4 (Rotation)	± 155°
		J5 (Bending)	-45° ≈ +225°
Maximum Speed	Arm	J1 (Rotation)	195°/s
		J2 (Vertical)	200°/s
		J7	160°/s
	Wrist	J3* (Rotation)	200°/s
		J4 (Rotation)	420°/s
		J6 (Rotation)	600°/s
Maximum Payload	Allowable Moment	J1 (Rotation)	10.1 Nm
		J2 (Vertical)	10.1 Nm
		J3* (Rotation)	2.94 Nm
		J4 (Rotation)	0.38 kg/m ²
		J5 (Bending)	0.38 kg/m ²
		J6 (Rotation)	0.03 kg/m ²
Ambient Temp./Humidity	0 ≈ 45°, 20 ≈ 80%		
Mass (weight)	321 kg		
Upper arm max. Carrying capacity(*2)	10 kg (Note 3)		
Origin Return	Note 3		
Installation Position	Floor type		



J3* (Rotation): A combined rotation of the axes J2 and J3

Note 1: Measured value obtained after sufficient repetition of automatic operation for stabilizing conditions.

Note 2: When the output flange of the wrist axis is loaded with maximum payload capacity.

Note 3: Positional data protected by battery-backed storage inside the manipulator.

F = Floor W = Wall C = Ceilling